

NOTES:

- 1) ALL EXTERNAL TANK PIPING IS TO BE SUPPLIED AND INSTALLED BY INSTALLING CONTRACTOR
- 2) ELECTRICAL CONDUIT AND WIRING BETWEEN JUNCTION BOX AND AND CONTROL PANEL IS SUPPLIED AND INSTALLED BY THE INSTALLING CONTRACTOR
- 3) INCOMING POWER TO THE ELECTRICAL CONTROL PANEL IS TO BE FURNISHED BY THE CUSTOMER.
- 4) FLOAT LOCATIONS ARE FIELD ADJUSTABLE TO MODIFY RUN TIME OF PUMPS AS WELL AS ALARM SETTINGS. FIVE (5) MINUTE RUN TIME OF PUMPS IS A MINIMUM TO PREVENT PUMP OVERHEATING
- 5) A STN. STL PORTABLE HOIST CAN BE SUPPLIED W/ EMBEDDED FLOOR SOCKET FOR PUMP REMOVAL. (OPTIONAL)
- 6) PUMP AND BASE WITH GUIDE RAILS TO BE MOUNTED AND INSTALLED BEFORE FLOOR GROUTING FROM OUTSIDE EDGES INWARD.
- 7) MANWAY SIZE MUST ACCOMADATE PUMPS, PIPING AND RAIL SYSTEM FOR REMOVAL OF BOTH PUMPS
- 8) VENT PIPING IN CONCRETE TO BE SUPPLIED AND INSTALLED BY INSTALLATION CONTRACTOR.
- 9) ALL CONCRETE WORK AND WALL SLEEVES ARE TO BE SUPPLIED AND INSTALLED BY THE CONTRACTOR

PCS EQUIPMENT SUPPLY LIST	
(2)	SUBMERSIBLE SOLIDS HANDLING PUMPS
(2)	GALV. VERTICAL DISCHARGE PIPE
(2)	GUIDE RAIL ASSY'S W/ BASE
(2)	STN. STL. LIFTING CHAIN
(4)	MERCURY BULB STYLE FLOAT SWITCHES
(1)	NEMA ELECTRICAL JUNCTION BOX W/ CORDGRIPS FOR PUMPS & FLOATS
(1)	ELECTRICAL CONTROL PANEL

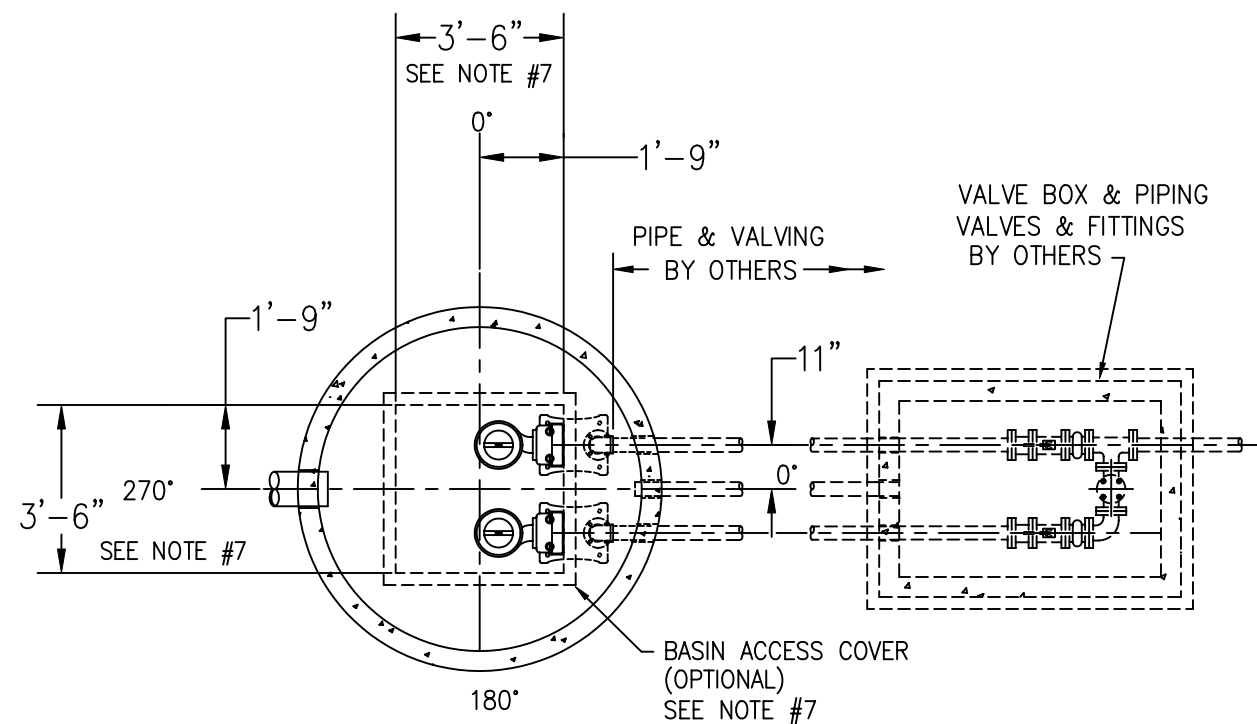
* PLOT SCALE BASED ON B-SIZE SHEET 11"x17"

PCS Pollution Control Systems, Inc.
 5827 Happy Hollow Ln, Suite 1B
 Milford, Ohio 45150
 (513) 831-1165
 E-mail PolConSys@aol.com

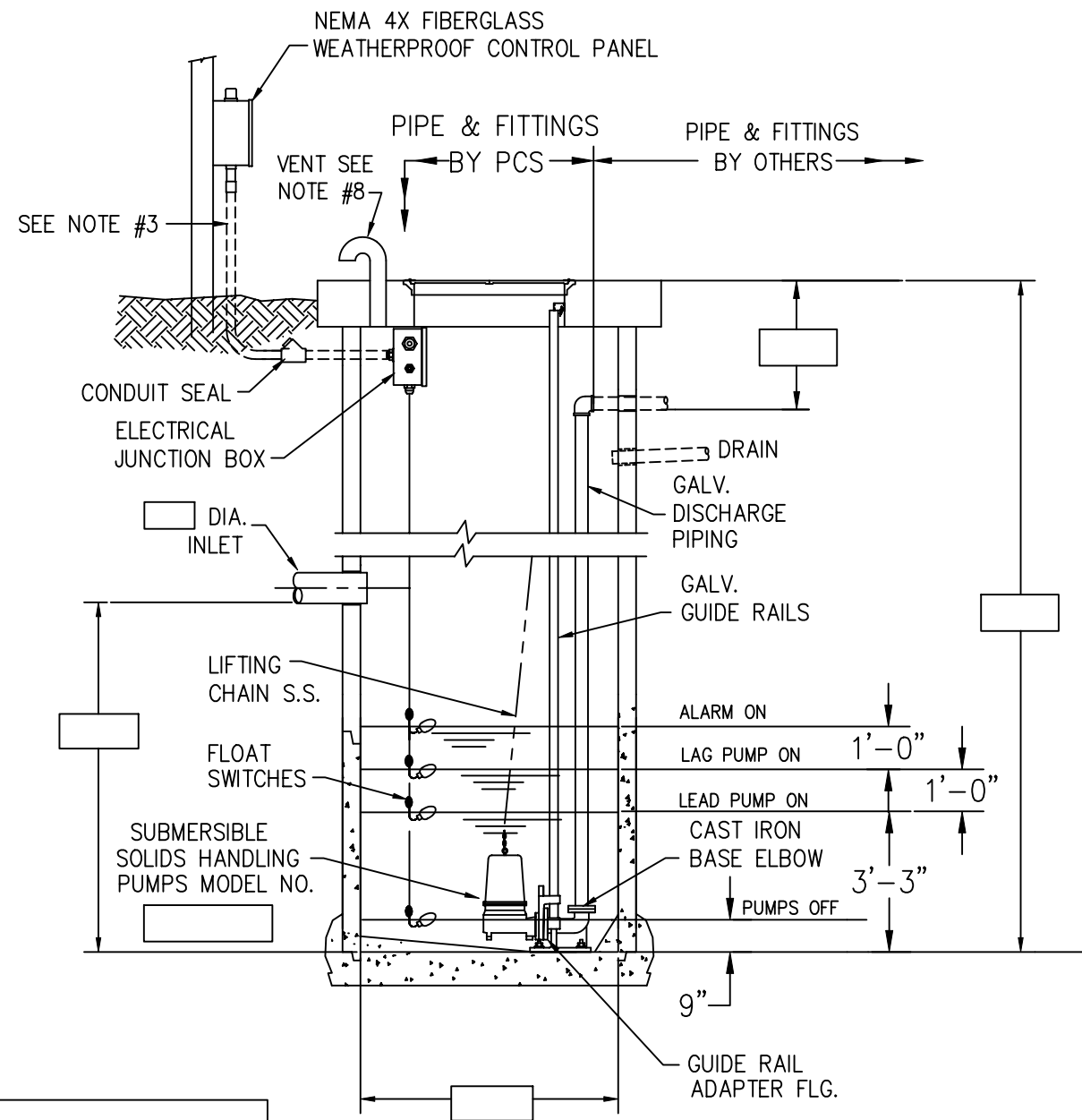
CONCRETE LIFT STATION DETAILS			
CONCRETE SEWAGE LIFT STATION ASSY. W/ SOLIDS HANDLING PUMPS			
SCALE: * PLOT: 3/8"=1'	QUOTE NO.	PROJECT NO.	
DRAWN BY: JJM	DATE: 7/25/02	SHEET	DRAWING NO.
CHECKED BY: HM	DATE: 7/25/02	1 OF 1	LS1-C-S

REV.	DATE	DESCRIPTION	APPROV.
1	3/16/10	REMOVED SPECIFIC DIAMETERS	MAC

THIS DRAWING CONTAINS INFORMATION THAT IS PROPRIETARY TO POLLUTION CONTROL SYSTEMS AND IS NOT TO BE USED WITHOUT WRITTEN PERMISSION OF POLLUTION CONTROL SYSTEMS INC.



PLAN VIEW PUMP MTG.
CUTOUT TO ACCOMMODATE MOUNTING OF RAILS AND REMOVAL OF PUMP AND CL MIN. DIMENSION FOR FITTINGS



NOTES:

- 1) ALL PIPING & PARTS TO BE SUPPLIED BY OTHERS UNLESS SHOWN ON PCS EQUIPMENT LIST.
- 2) ALL CONCRETE WORK AND WALL SLEEVES ARE TO BE SUPPLIED AND INSTALLED BY THE CONTRACTOR
- 3) ELECTRICAL CONDUIT AND WIRING BETWEEN JUNCTION BOX AND AND CONTROL PANEL IS SUPPLIED AND INSTALLED BY THE INSTALLING CONTRACTOR PER ENGINEERS SPECIFICATIONS
- 4) INCOMING POWER TO THE ELECTRICAL CONTROL PANEL IS TO BE FURNISHED BY THE CUSTOMER.
- 5) FLOAT LOCATIONS ARE FIELD ADJUSTABLE TO MODIFY RUN TIME OF PUMPS AS WELL AS ALARM SETTINGS. FIVE (5) MINUTE RUN TIME OF PUMPS IS A MINIMUM TO PREVENT PUMP OVERHEATING
- 6) PUMP AND BASE WITH GUIDE RAILS TO BE MOUNTED AND INSTALLED BEFORE FLOOR GROUTING FROM OUTSIDE EDGES INWARD.
- 7) MANWAY SIZE MUST ACCOMMODATE PUMPS, PIPING AND RAIL SYSTEM AND CLEARANCE FOR REMOVAL OF BOTH PUMPS
- 8) VENT PIPING IN CONCRETE TO BE SUPPLIED BY INSTALLING CONTRACTOR.

PCS EQUIPMENT SUPPLY LIST	
(2)	SUBMERSIBLE SOLIDS HANDLING PUMPS
(2)	GALV. VERTICAL DISCHARGE PIPE
(2)	GUIDE RAIL ASSY'S W/ BASE
(2)	STN. STL. LIFTING CHAIN
(4)	MERCURY BULB STYLE FLOAT SWITCHES
(1)	NEMA ELECTRICAL JUNCTION BOX W/ CORDGRIPS FOR PUMPS & FLOATS
(1)	ELECTRICAL CONTROL PANEL

* PLOT SCALE BASED ON B-SIZE SHEET 11"x17"

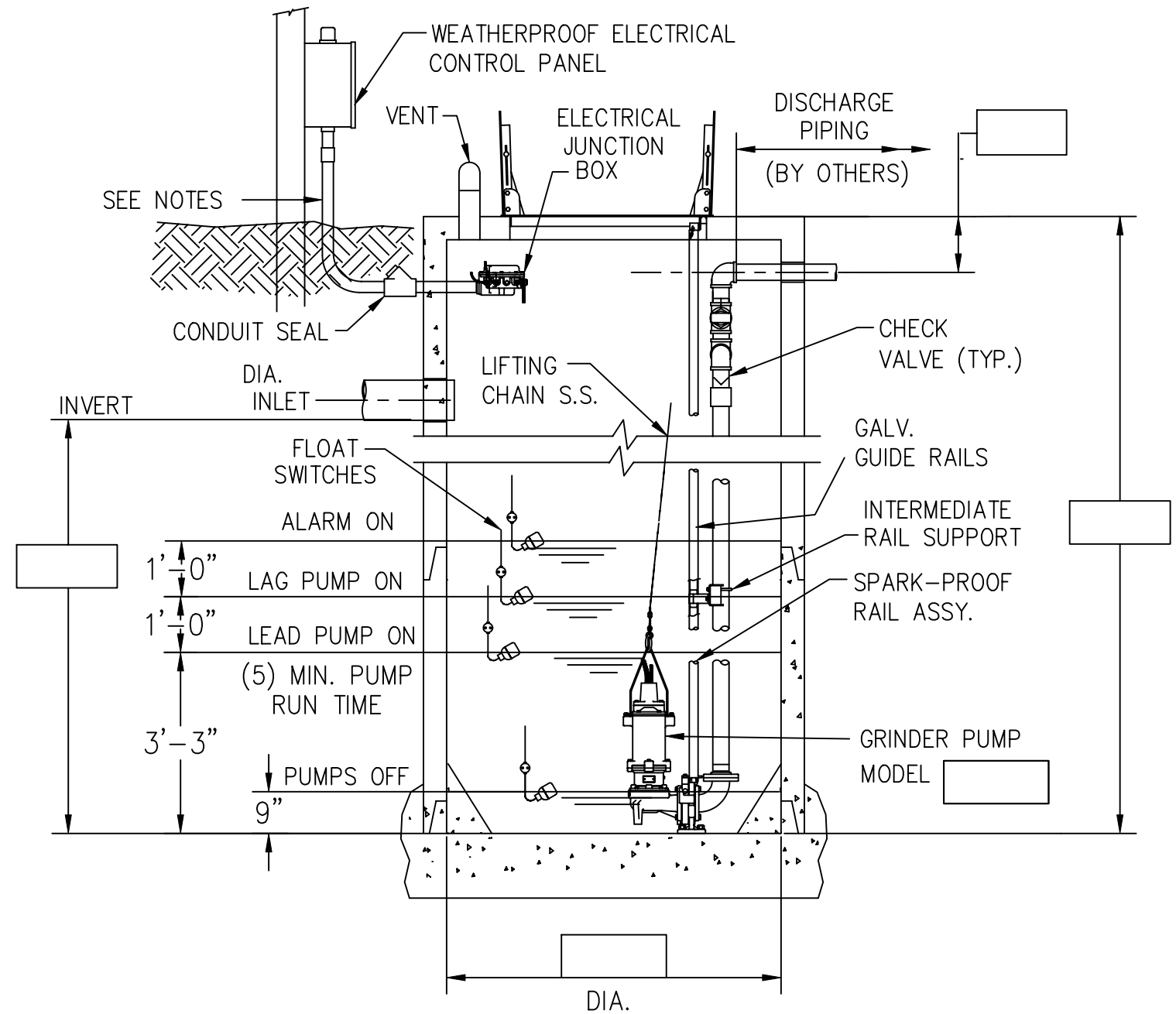
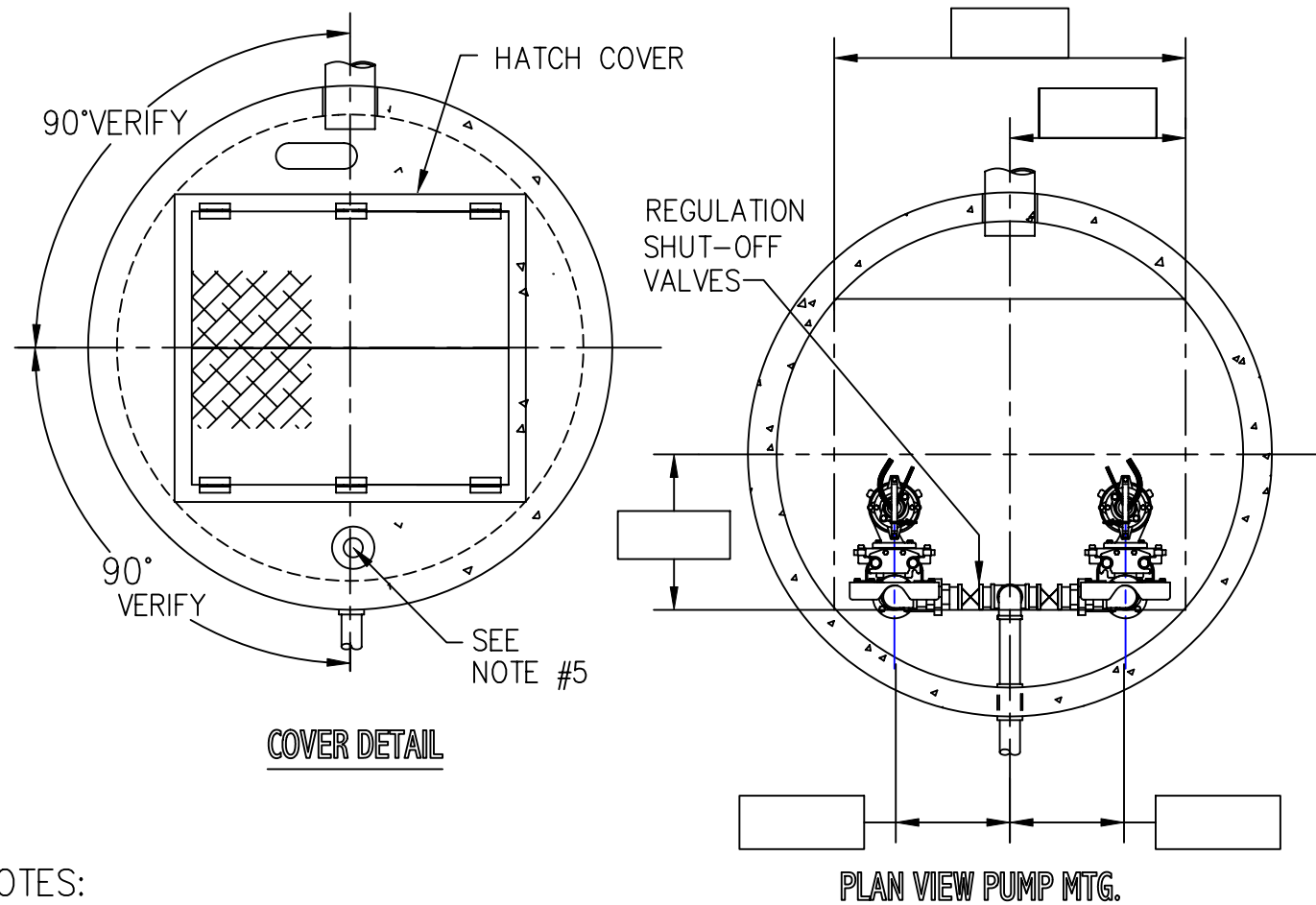
PCS Pollution Control Systems, Inc.
5827 Happy Hollow Ln, Suite 1B
Milford, Ohio 45150
(513) 831-1165
E-mail PolConSys@aol.com

TREATMENT PLANT LIFT STATION DETAILS
SEWAGE LIFT STATION ASSY.
W/ SOLIDS HANDLING PUMPS & VALVE BOX

REV.	DATE	DESCRIPTION	APPROV.
△	3/16/10	REMOVED SPECIFIC DIAMETERS	MAC

THIS DRAWING CONTAINS INFORMATION THAT IS PROPRIETARY TO POLLUTION CONTROL SYSTEMS AND IS NOT TO BE USED WITHOUT WRITTEN PERMISSION OF POLLUTION CONTROL SYSTEMS INC.

SCALE: * PLOT: 1/4"=1'	QUOTE NO.	PROJECT NO.
DRAWN BY: JJM	DATE: 7/25/02	SHEET
CHECKED BY: HM	DATE: 7/25/02	1 OF 1
		DRAWING NO. LS2-C-S-VB



NOTES:

- 1) ALL EXTERNAL TANK PIPING IS TO BE SUPPLIED AND INSTALLED BY INSTALLING CONTRACTOR
- 2) ELECTRICAL CONDUIT AND WIRING BETWEEN JUNCTION BOX AND CONTROL PANEL IS SUPPLIED AND INSTALLED BY THE INSTALLING CONTRACTOR
- 3) INCOMING POWER TO THE ELECTRICAL CONTROL PANEL IS TO BE FURNISHED BY THE CUSTOMER.
- 4) FLOAT LOCATIONS ARE FIELD ADJUSTABLE TO MODIFY RUN TIME OF PUMPS AS WELL AS ALARM SETTINGS. FIVE (5) RUN TIME OF PUMPS IS A MINIMUM TO PREVENT PUMP OVERHEATING
- 5) A STN. STL PORTABLE HOIST CAN BE SUPPLIED W/ EMBEDDED FLOOR SOCKET FOR PUMP REMOVAL CAN BE SUPPLIED AS AN OPTION
- 6) PUMP AND BASE WITH GUIDE RAILS TO BE MOUNTED AND INSTALLED BEFORE FLOOR GROUTING FROM OUTSIDE EDGES INWARD.
- 7) MANWAY SIZE MUST ACCOMADATE PUMPS, PIPING AND RAIL SYSTEM FOR REMOVAL OF BOTH PUMPS
- 8) VENT PIPING IN CONCRETE TO BE SUPPLIED AND INSTALLED BY INSTALLATION CONTRACTOR.
- 9) ALL CONCRETE WORK AND WALL SLEEVES ARE TO BE INSTALLED BY THE CONTRACTOR

PCS EQUIPMENT SUPPLY LIST			
(2)	SUBMERSIBLE GRINDER PUMPS		
(2)	GALV. VERTICAL DISCHARGE PIPE		
(2)	GUIDE RAIL ASSY'S		
(2)	LIFT OUT ASSYS W/BASE		
(2)	STN. STL. LIFTING CHAIN		
(4)	MERCURY BULB STYLE FLOAT SWITCHES		
(1)	NEMA ELECTRICAL JUNCTION BOX W/ CORDGRIPS FOR PUMPS & FLOATS		
(1)	ELECTRICAL CONTROL PANEL		

* PLOT SCALE BASED ON B-SIZE SHEET 11"x17"

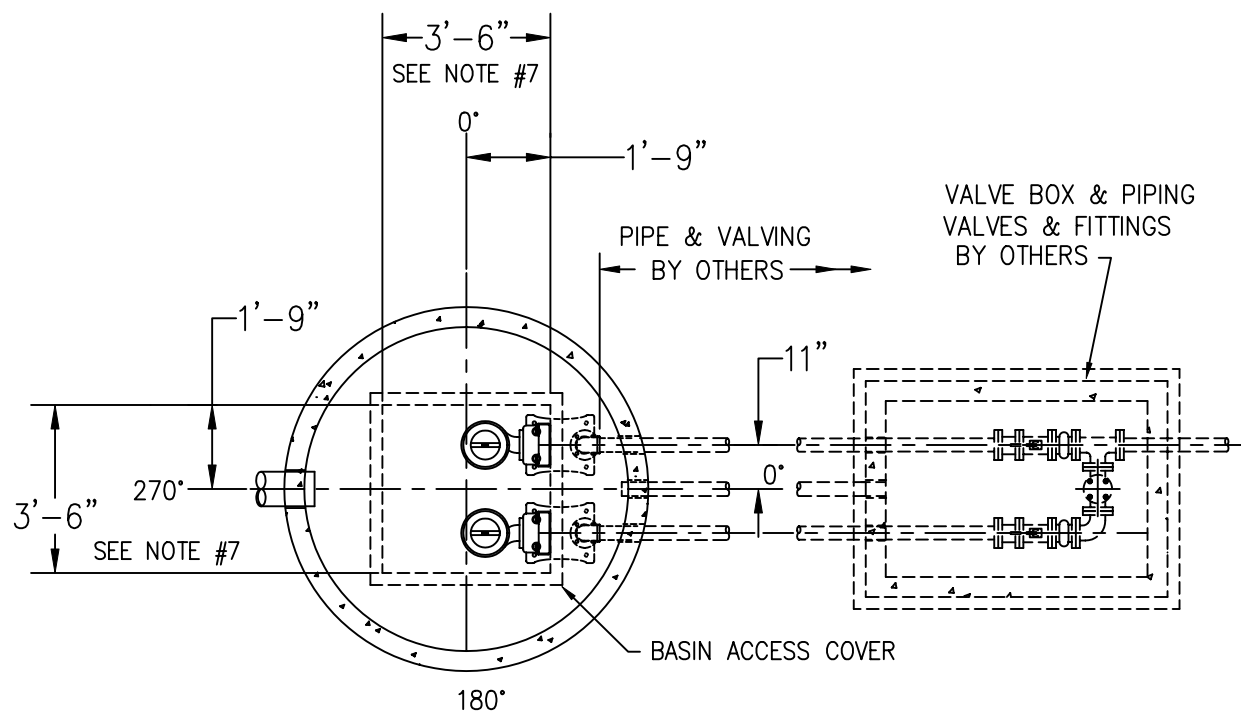
PCS Pollution Control Systems, Inc.
 5827 Happy Hollow Ln, Suite 1B
 Milford, Ohio 45150
 (513) 831-1165
 E-mail PolConSys@aol.com

CONCRETE LIFT STATION DETAILS
 CONCRETE SEWAGE LIFT STATION ASSY.
 W/ GRINDER PUMPS

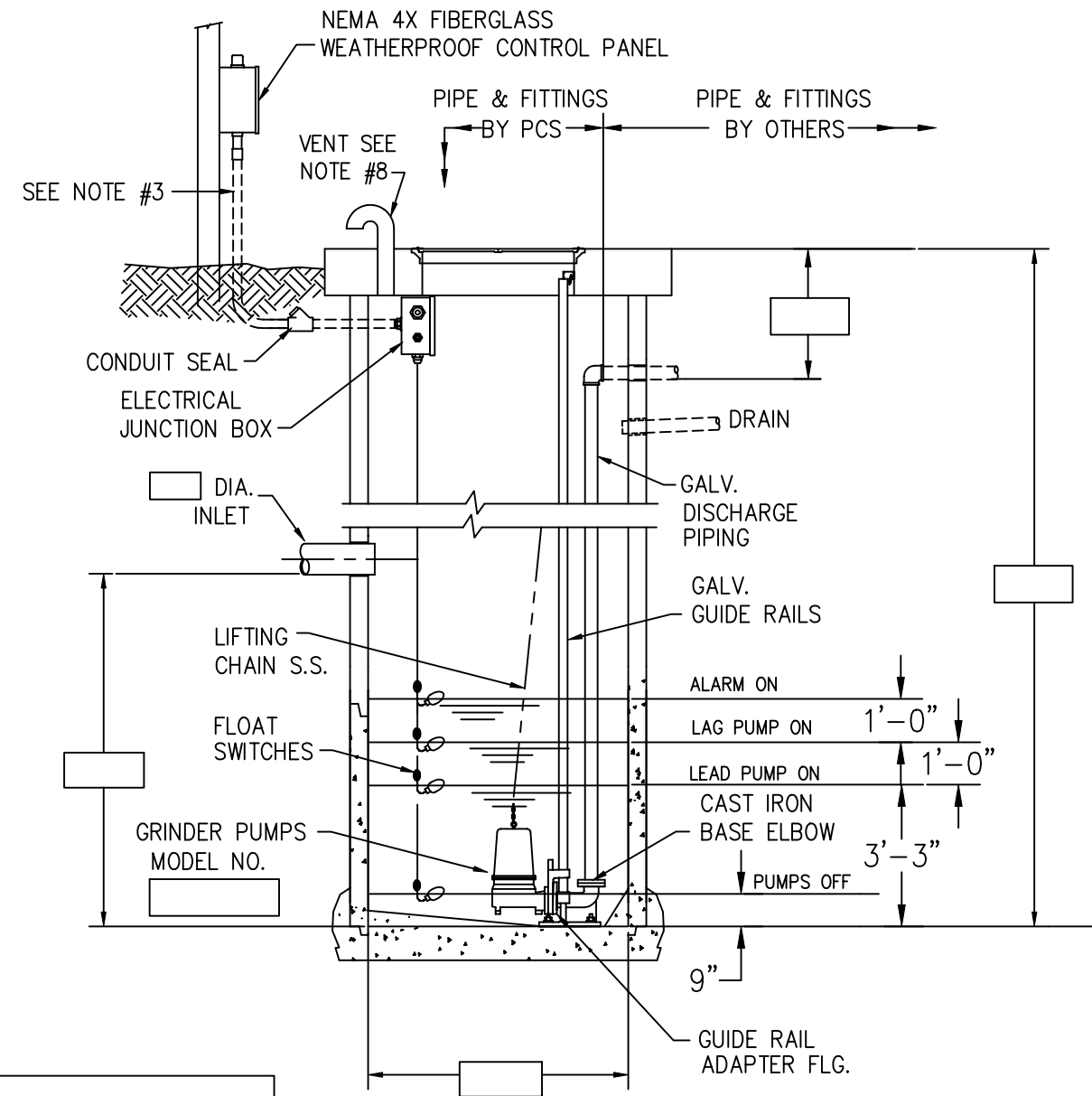
REV.	DATE	DESCRIPTION	APPROV.
1	3/16/10	REMOVED SPECIFIC DIAMETERS	JJM

THIS DRAWING CONTAINS INFORMATION THAT IS PROPRIETARY TO POLLUTION CONTROL SYSTEMS AND IS NOT TO BE USED WITHOUT WRITTEN PERMISSION OF POLLUTION CONTROL SYSTEMS INC.

SCALE: * PLOT: 3/8"=1'	QUOTE NO.	PROJECT NO.
DRAWN BY: JJM	DATE: 7/25/02	SHEET
CHECKED BY: HM	DATE: 7/25/02	1 OF 1
		DRAWING NO. LS3-C-G



PLAN VIEW PUMP MTG.
 CUTOUT TO ACCOMMODATE MOUNTING
 OF RAILS AND REMOVAL OF PUMP
 AND CL MIN. DIMENSION FOR FITTINGS



NOTES:

- 1) ALL PIPING & PARTS TO BE SUPPLIED BY OTHERS UNLESS SHOWN ON PCS EQUIPMENT LIST.
- 2) ALL CONCRETE WORK AND WALL SLEEVES ARE TO BE SUPPLIED AND INSTALLED BY THE CONTRACTOR
- 3) ELECTRICAL CONDUIT AND WIRING BETWEEN JUNCTION BOX AND AND CONTROL PANEL IS SUPPLIED AND INSTALLED BY THE INSTALLING CONTRACTOR PER ENGINEERS SPECIFICATIONS
- 4) INCOMING POWER TO THE ELECTRICAL CONTROL PANEL IS TO BE FURNISHED BY THE CUSTOMER.
- 5) FLOAT LOCATIONS ARE FIELD ADJUSTABLE TO MODIFY RUN TIME OF PUMPS AS WELL AS ALARM SETTINGS. FIVE (5) MINUTE RUN TIME OF PUMPS IS A MINIMUM TO PREVENT PUMP OVERHEATING
- 6) PUMP AND BASE WITH GUIDE RAILS TO BE MOUNTED AND INSTALLED BEFORE FLOOR GROUTING FROM OUTSIDE EDGES INWARD.
- 7) MANWAY SIZE MUST ACCOMMODATE PUMPS, PIPING AND RAIL SYSTEM AND CLEARANCE FOR REMOVAL OF BOTH PUMPS
- 8) VENT PIPING IN CONCRETE TO BE SUPPLIED BY CONTRACTOR.

PCS EQUIPMENT SUPPLY LIST

- (2) GRINDER PUMPS
- (2) GALV. VERTICAL DISCHARGE PIPE
- (2) GUIDE RAIL ASSY'S W/ BASE
- (2) STN. STL. LIFTING CHAIN
- (4) MERCURY BULB STYLE FLOAT SWITCHES
- (1) NEMA ELECTRICAL JUNCTION BOX W/ CORDGRIPS FOR PUMPS & FLOATS
- (1) ELECTRICAL CONTROL PANEL

* PLOT SCALE BASED ON B-SIZE SHEET 11"x17"



Pollution Control Systems, Inc.
 5827 Happy Hollow Ln, Suite 1B
 Milford, Ohio 45150
 (513) 831-1165
 E-mail PolConSys@aol.com

TREATMENT PLANT LIFT STATION DETAILS

**SEWAGE LIFT STATION ASSY.
 W/ GRINDER PUMPS & VALVE BOX**

REV.	DATE	DESCRIPTION	APPROV.
1	3/16/10	REMOVED SPECIFIC DIAMETERS	MAC

THIS DRAWING CONTAINS INFORMATION THAT IS PROPRIETARY TO POLLUTION CONTROL SYSTEMS AND IS NOT TO BE USED WITHOUT WRITTEN PERMISSION OF POLLUTION CONTROL SYSTEMS INC.

SCALE: * PLOT: 1/4"=1'		QUOTE NO.	PROJECT NO.
DRAWN BY: JJM	DATE: 7/25/02	SHEET	DRAWING NO.
CHECKED BY: HM	DATE: 7/25/02	1 OF 1	LS4-C-G-VB